

Dual Roller Clutch-Operated FlexShade®

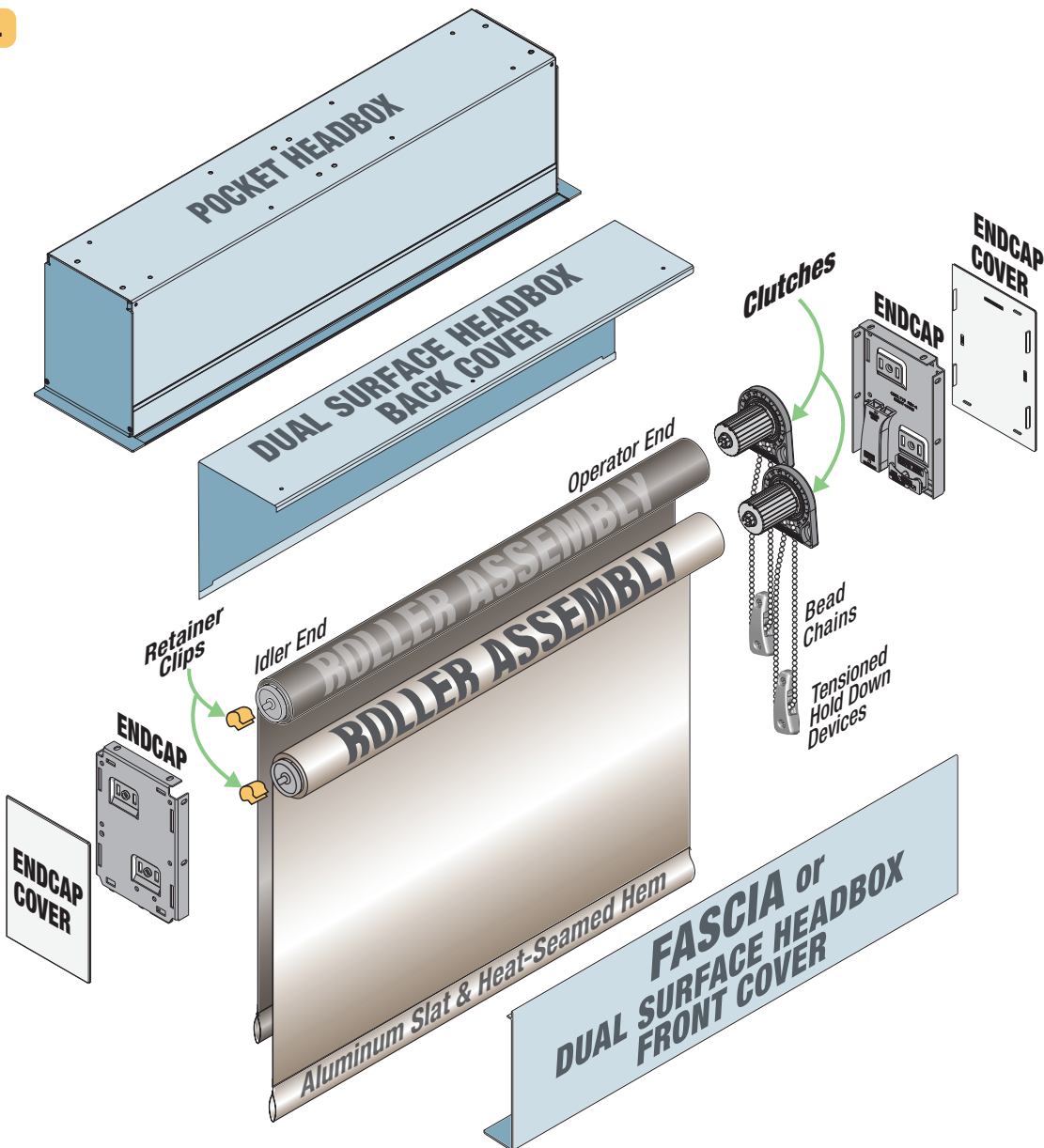
Manual, clutch-operated window shade with smooth, quiet operation, and independent control

INSTRUCTIONS

INSTALLATION & OPERATION

Overview - Components

DFCL



TOOLS REQUIRED



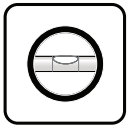
PENCIL



POWER DRILL



TAPE MEASURE



LEVEL



HARDWARE (by others)

⚠ CAUTION ⚠

Read and understand all warnings (Page 2 of this document) before beginning installation.

Contents

Overview - Components.....	1	Section 3 - Pocket Headbox Installation	5
PLEASE READ - Important Safety & Installation Information	2	Section 4 - Spring Assist Installation	6
PLEASE READ - Field Adjustments, Cleaning and Maintenance.....	2	Section 5 - Attaching Fascia	7
Section 1 - Mounting Endcaps.....	3	Section 6 - Tensioned Hold Down	8
Section 2 - Dual Roller Surface Headbox Installation.....	4	Section 7 - Dimensions	8

If you have any difficulties installing or servicing your Dual Roller Clutch-Operated FlexShade®, call your dealer or Draper, Inc.

PLEASE READ - Safety & Installation Information

⚠ Caution:

1. Inspect all boxes to make sure you have received the proper shades and parts. Controls may be shipped separately, or in same carton as shades.
2. Open cartons lengthwise.
3. Before mounting shades, verify measurements on label provided with shade, and ensure unit is installed at correct width.
4. All endcaps, fascia, pocket headbox, and other hardware must be installed level. Shades must be level and square.
6. Read the following installation guidelines thoroughly and follow them carefully. Failure to do so may cause product to fall or otherwise fail, and invalidates warranty.
7. Installer is responsible for selecting mounting hardware appropriate for site conditions.

Important Safety Information



Important Safety Information

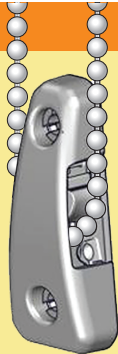
Improper installation and use of the Dual Roller Clutch-Operated FlexShade® can result in serious injury or death. Primarily, injuries can occur if the unit falls due to imprecise installation, mishandling of the shade during installation, or installation on an insufficient wall or ceiling structure. Please use extreme care.

1. Please read the following installation guidelines thoroughly and follow them carefully. Failure to do so may cause product to fall or otherwise fail, and could result in serious injury.
2. Installation and calibration of the shade should only be performed by an authorized, qualified, and experienced professional.
3. Do not affix the unit to wall or ceilings that have inadequate strength to permanently hold the unit during use. It is the owner's and installer's responsibility to confirm the wall or ceiling to which the unit attaches is sufficient to permanently hold the weight and stress loads of the unit at all times. Draper, Inc., is not responsible for improper installation, application, testing, or workmanship related to the product at place of installation.
4. It is the installer's responsibility to make sure appropriate fasteners are used for mounting.
5. All brackets, fascia, headboxes, pockets, wall clips, and other hardware must be installed level. Shade unit must be level and square.
6. Never leave the area while operating the shade during installation, maintenance, or normal operation, unless it is secure and safe.
7. Before testing or operation, carefully inspect the entire area and path of the shade and areas underneath the shade to be sure no persons or objects are in the area.
8. During testing or operation, carefully watch the surrounding area for any potential safety concerns including nearby persons or objects.
9. After installation, the entire system should be carefully tested to ensure safe and normal operation. Extreme care should be taken during testing to remain clear of moving parts to avoid possible injury.
10. Operation of shade should be performed only by authorized and qualified personnel, who have been trained in the safe and effective operation of the shade and understand its safety features.
11. The safety features of the shade should never be disabled, bypassed, or overridden. The system should not be operated until all safety features are properly and completely installed, calibrated, and tested.
12. Shade may need to comply with local, state, or district rules and regulations, in particular when installed in schools. All applicable rules and regulations should be reviewed before installation and use.
13. Failure to precisely follow installation guidelines invalidates all warranties.
14. Custom products/installations may not be reflected in this manual. Call Draper, Inc., if you have questions regarding your installation.

Before Beginning Installation

1. Look for any job site conditions that could interfere with installation or operation of the system.
2. Read carefully and be sure to understand all installation instructions and all related operations manuals. These instructions are intended to serve as a guide for the installer and owner. They should be followed closely and combined with the expertise of experienced qualified installers. Draper, Inc., is not responsible for improper installation, application, testing, or workmanship related to the product at place of installation. Please retain all instructions for future use.
3. Open cartons lengthwise.
4. Locate and lay out all pieces.
5. Inspect all boxes to make sure you have received the proper shade and parts. Controls may be shipped separately, or in same carton as shade.
6. If you have any difficulties with installing, servicing, or operating your shade, call your dealer or Draper, Inc., 765-987-7999.

Child Safety Information



To comply with Child Safety Standard ANSI/WCMA A100.1-2022, this product ships with a tensioning device attached to the bead chain. Incorrect installation partially disables the product. When properly fastened to mounting surface, the pre-installed Tensioned Hold Down device for clutch-operated units prevents creation of a hazardous loop by maintaining tension on the bead chain.

⚠ WARNING
⚠ ADVERTENCIA



Window Blind Cord Can STRANGLE Your Child.
Keep all cords out of children's reach. Shorten cords to prevent reach. Move crib and furniture away - Children can climb furniture to reach cords.
La cuerda de la persiana puede ESTRANGULAR su niño.
Mantenga las cuerdas fuera del alcance de los niños. Acorte las cuerdas para evitar el alcance. Mueva la cuna y los muebles - Los niños pueden subir los muebles para alcanzar cuerdas.



Scan for more information, including short videos on correctly installing the tensioning device, or go to draperinc.com/windowshades/childsafety.

PLEASE READ - Field Adjustments

Each Draper Solar Control Shade is tested to ensure proper operation. Even with this testing, some field adjustments may be needed for telescoping.

If the shade is telescoping, place a piece of high quality gaffer tape about 1" (25mm) wide on the exposed roller (where the fabric will cover it) on the side that the fabric will be drawn toward. For example: if the fabric is tracking to the left, place the tape on the right side.

PLEASE READ - Cleaning and Maintenance

Window covering products manufactured by Draper, when properly installed, should require no operational maintenance or lubrication.

Most of Draper's standard fabrics may be cleaned at the window by vacuuming with a soft brush attachment. They also may be cleaned by using a sponge or soft cloth and mild solution of warm soapy water. A mild dishwashing liquid is recommended. A clean dry cloth is recommended for the metal finish.

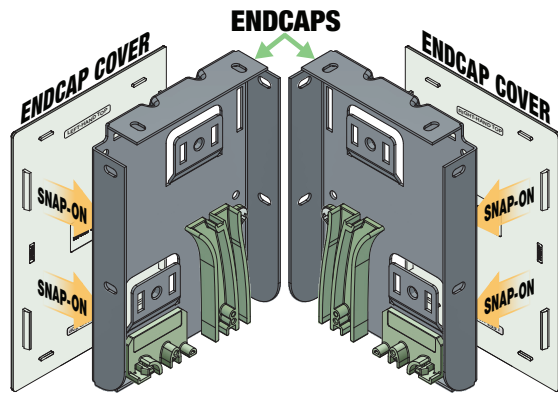
Please Note: Exceptions are GreenScreen Evolve®, GreenScreen Revive®, Flocké®, and Phifer® SW7000 fabrics, which must be cleaned with a dry art sponge. (GreenScreen Revive® and GreenScreen Evolve® are registered trademarks of Mermet® USA. SheerWeave® is a registered trademark of Phifer® Incorporated.)

Section 1 - Mounting Endcaps (Brackets)

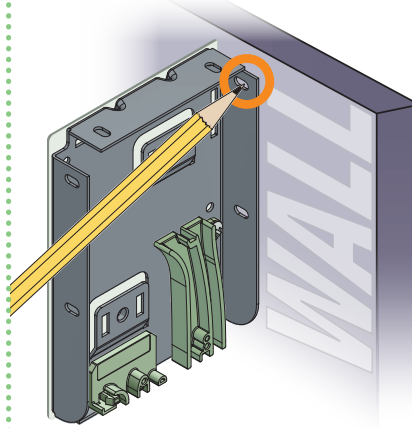
⚠ Caution: Before mounting shades, verify measurements on label provided with shade, and ensure unit is installed at correct width.

Please Note: Installer is responsible for selecting mounting hardware appropriate for site conditions.

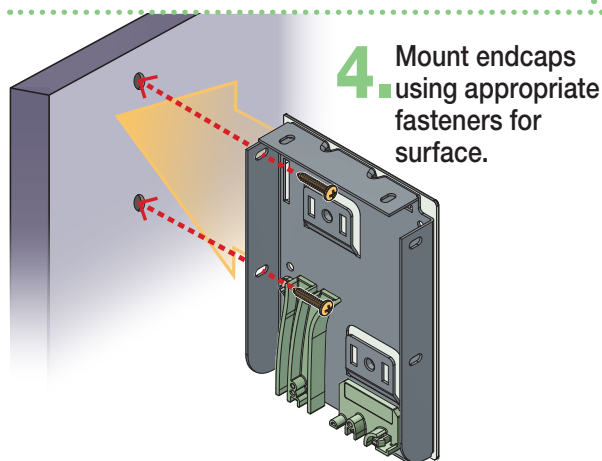
1. Snap endcap covers onto endcaps. Proper orientation of Left-Hand, Right-Hand, Front and Back, is noted on endcap covers.



2. Mark wall, jamb, or ceiling for placement of mounting endcaps.



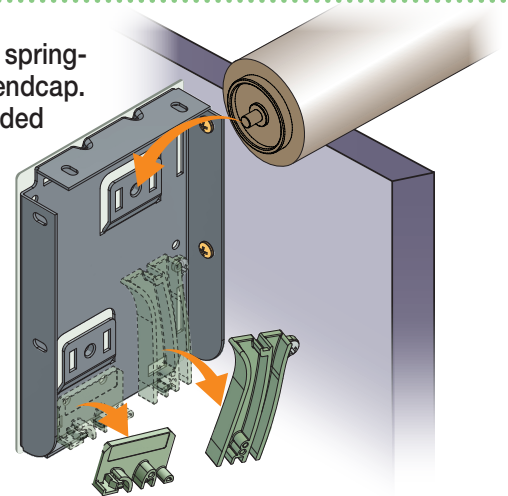
3. Drill small starter hole (if necessary) in mounting surface.



4. Mount endcaps using appropriate fasteners for surface.

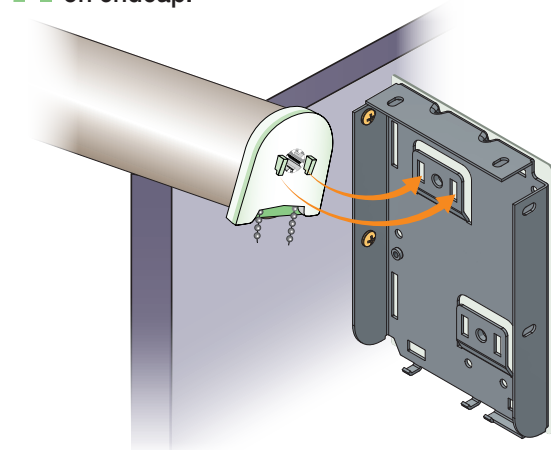
Please Note: Endcaps MUST BE fastened securely to mounting surface and cannot move from side to side.

5. Place **REAR** shade spring-loaded pin in idler endcap. Depress spring-loaded pin by pressing shade roller toward endcap.



6. Remove bottom chain guide cover & discard.

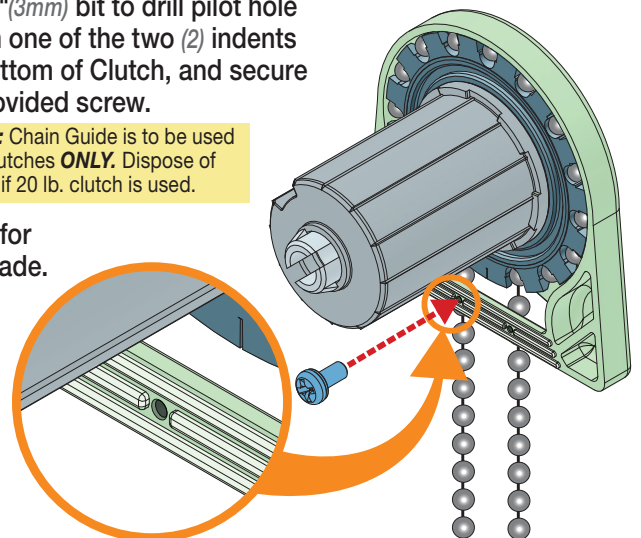
7. Slip operator end of rear shade into slots on endcap.



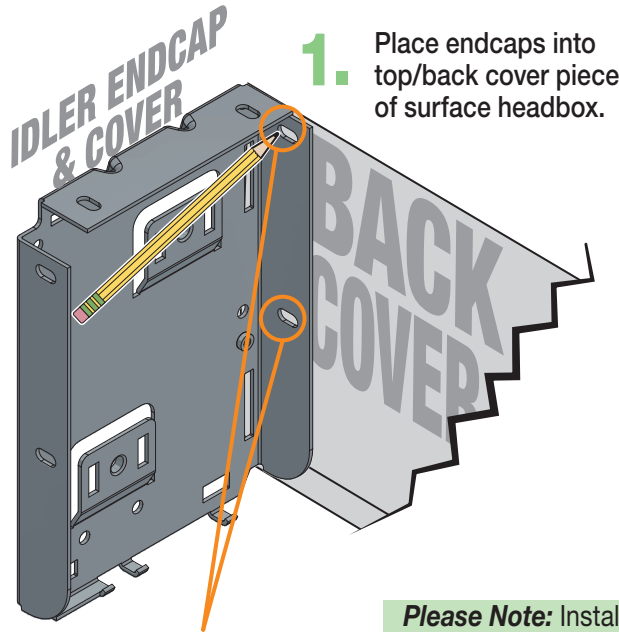
8. Use 1/8" (3mm) bit to drill pilot hole through one of the two (2) indents near bottom of Clutch, and secure with provided screw.

⚠ ATTENTION: Chain Guide is to be used with 10 lb. clutches **ONLY**. Dispose of Chain Guide if 20 lb. clutch is used.

9. Repeat for front shade.



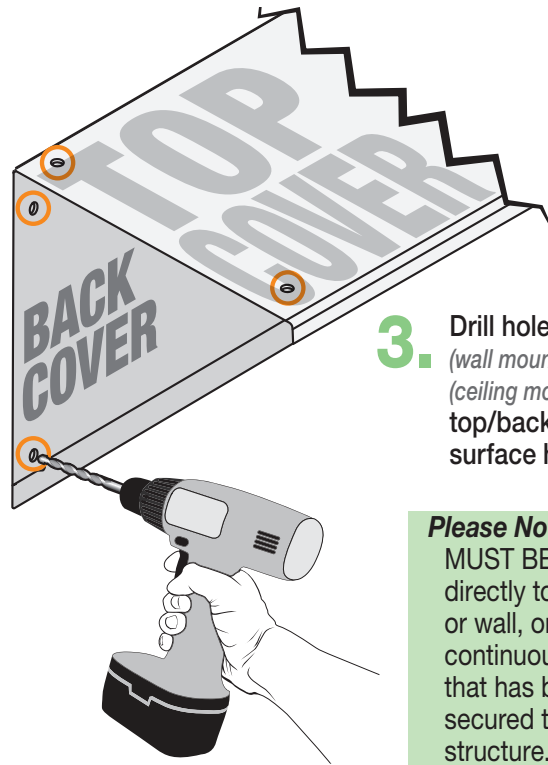
Section 2 - Dual Roller Surface Headbox Installation



1. Place endcaps into top/back cover piece of surface headbox.

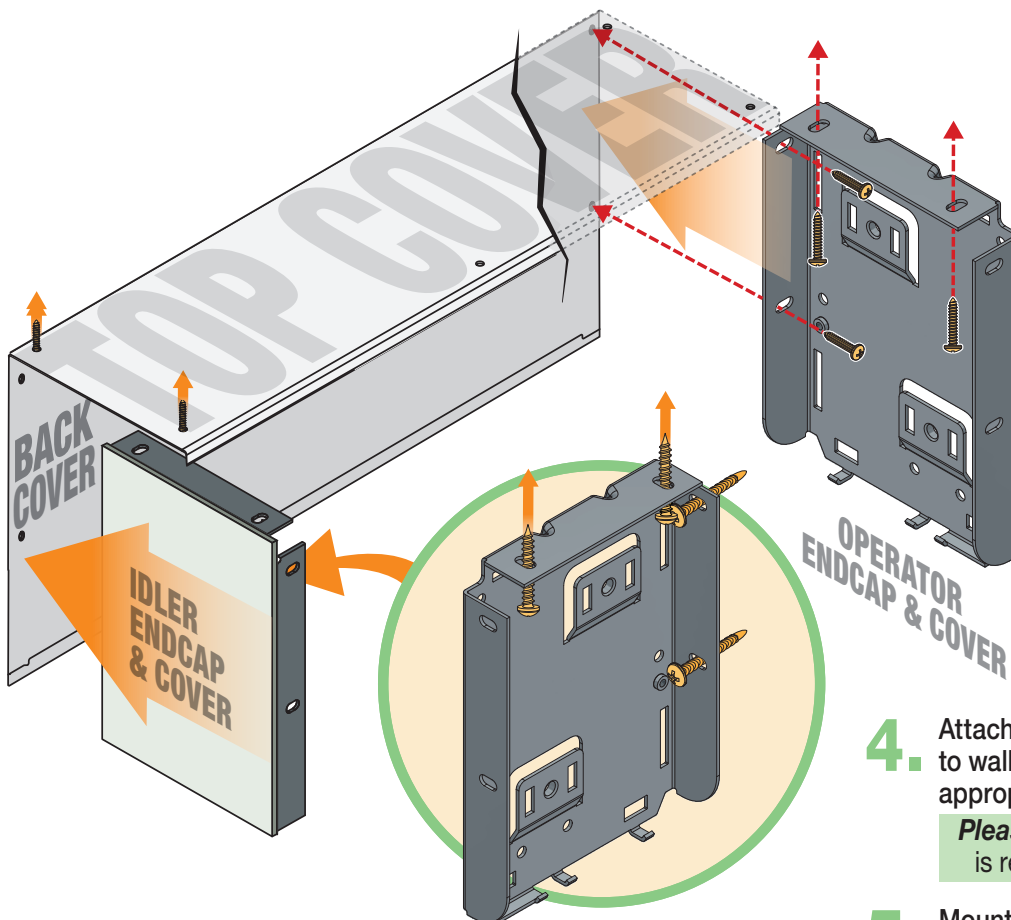
2. Using pre-drilled holes in endcaps, mark headbox for drilling.

Please Note: Installer must provide adequate clearance for removal of Roller Assembly during installation and maintenance.



3. Drill holes in back (wall mount) or top (ceiling mount) of top/back cover of surface headbox.

Please Note: Headbox MUST BE mounted directly to ceiling or wall, or to a continuous blocking that has been secured to building structure.



4. Attach endcaps and top/back cover piece to wall or ceiling, using mounting hardware appropriate for site conditions.

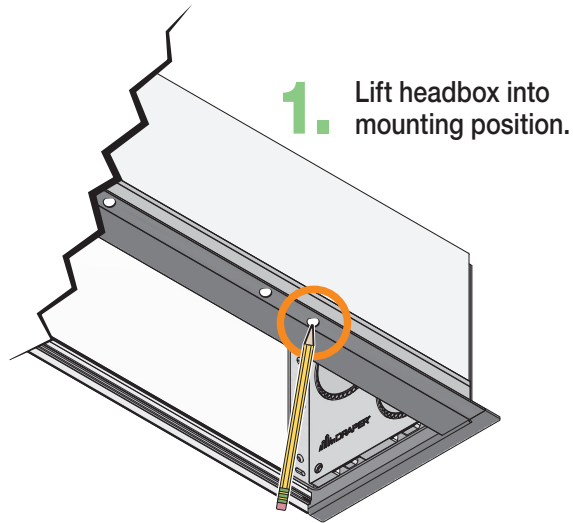
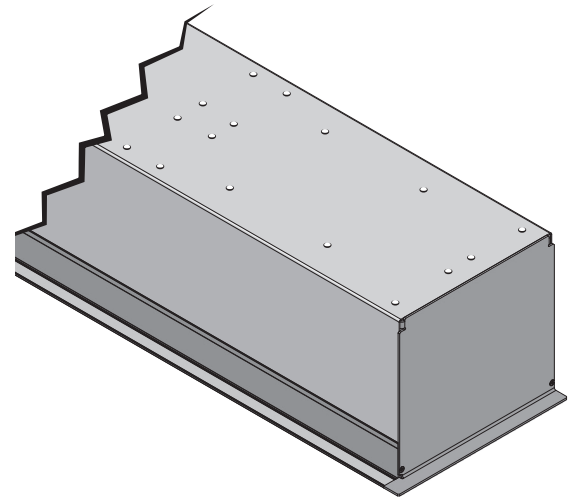
Please Note: A minimum of two (2) screws is required for each endcap.

5. Mount endcaps using appropriate fasteners for surface (Section 1 - Mounting Endcaps)

Section 3 - Pocket Headbox Installation

PLEASE NOTE: Installer must provide adequate clearance for removal of Roller Assembly during installation and maintenance.

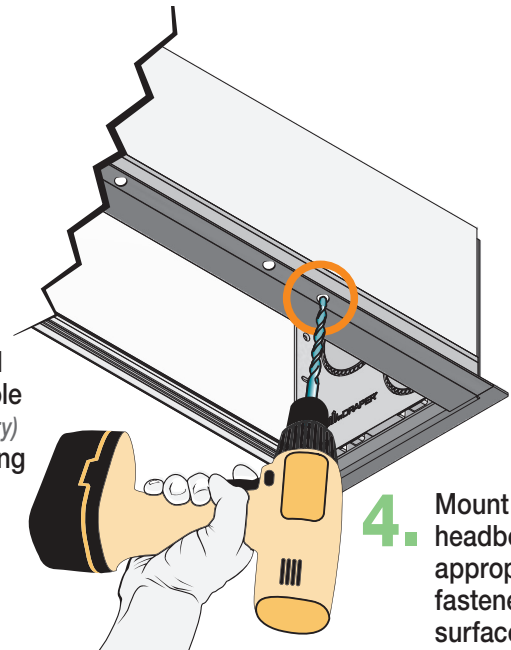
PLEASE NOTE: Headbox must be mounted directly to ceiling, or to a continuous blocking that is secured to building structure.



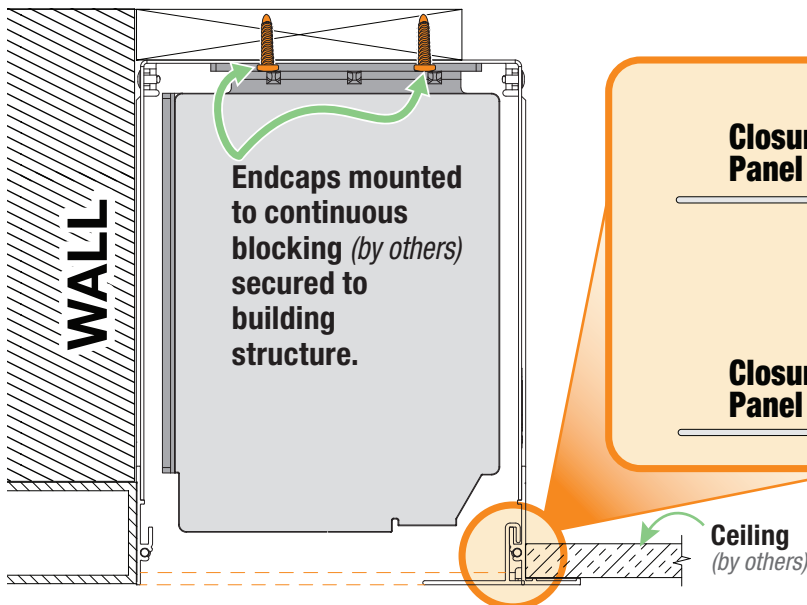
1. Lift headbox into mounting position.

2. Mark location of optional pre-drilled pocket mounting holes and endcap mounting holes on top side of headbox on mounting surface.

3. Drill small starter hole (if necessary) in mounting surface.



4. Mount pocket headbox using appropriate fasteners for surface.



5. Mount endcaps using appropriate fasteners for surface (Section 1 - Mounting Endcaps)

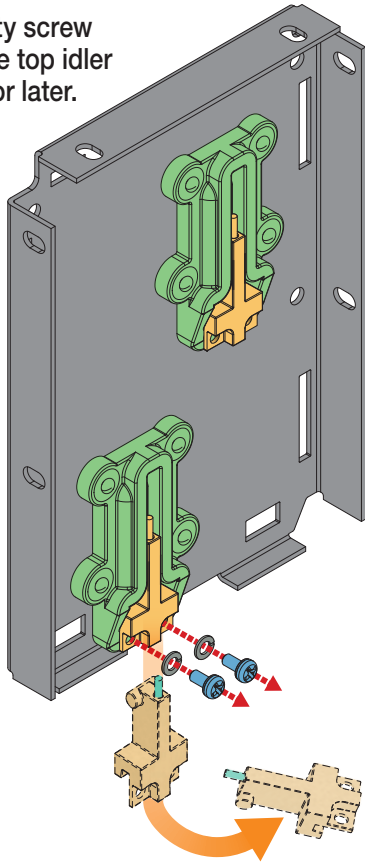
6. Mount pocket closure. (Fig. 3-D).

Section 4 - Spring Assist Installation (Optional)

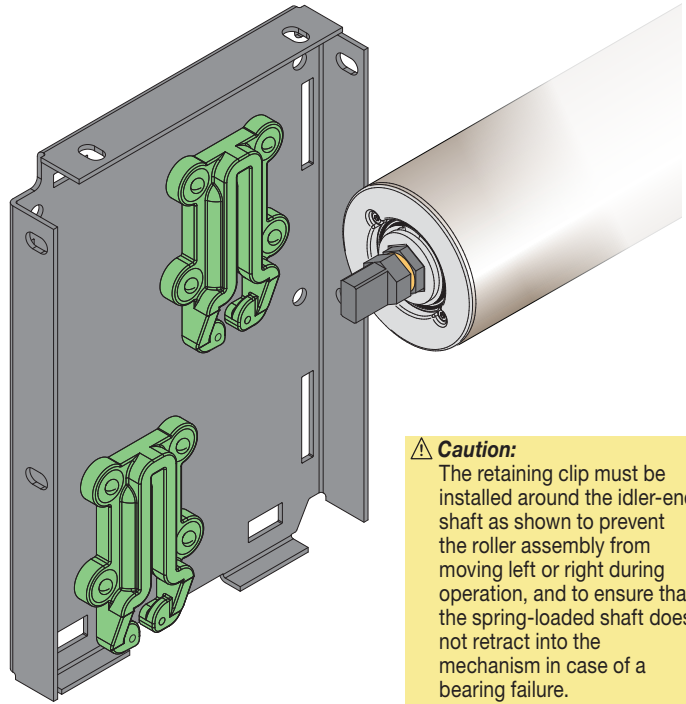
⚠ Caution: Spring-assist will not operate correctly if installer attempts to change operator location or roll direction. Do not allow shade roller to become exposed by running shade fabric too far down. Use stop balls provided in hardware packet by Draper® to set up and down travel limits. Stop balls by others may be too small, and become lodged in clutch mechanism.

Please Note: If shade fabric is uneven, see "Field Adjustments" on page 2.

1. Remove the safety screw and slide from the top idler endcap. Retain for later.

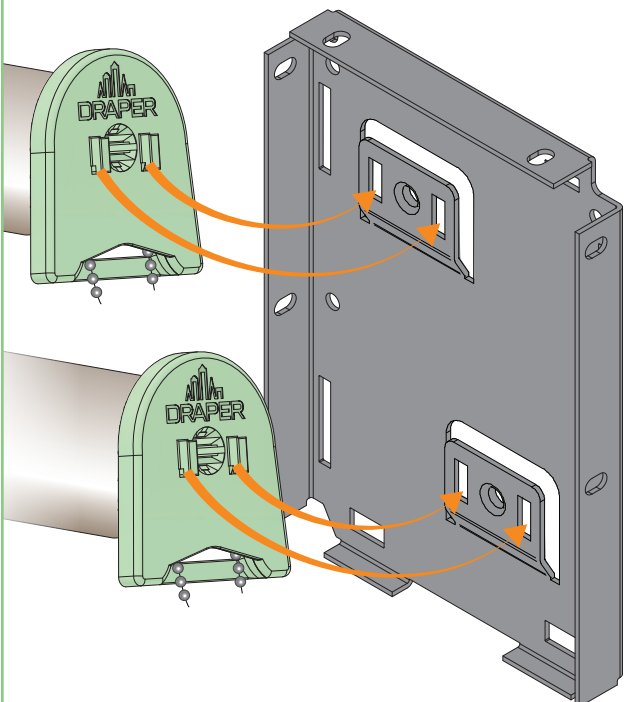


2. Swing the idler end into place, then slide the idler end spear into the receiver. It may be necessary to compress the spring-loaded spear.

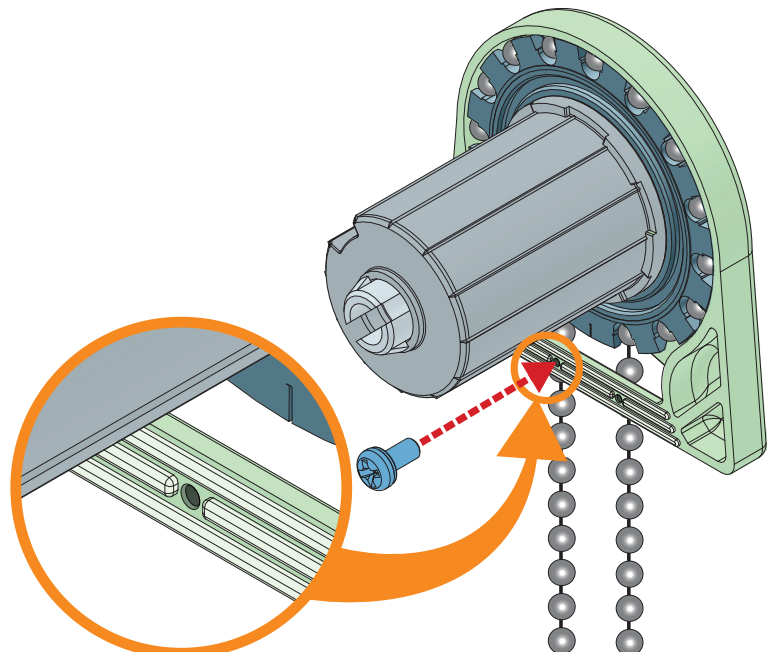


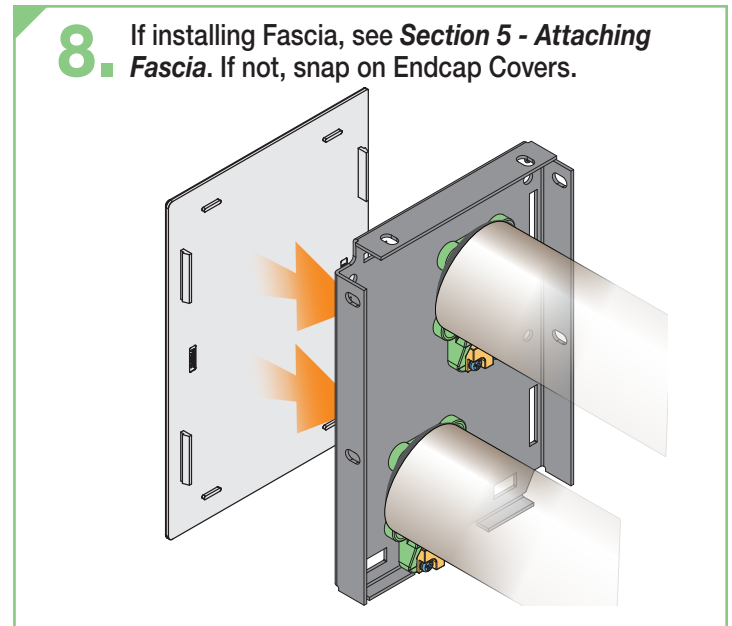
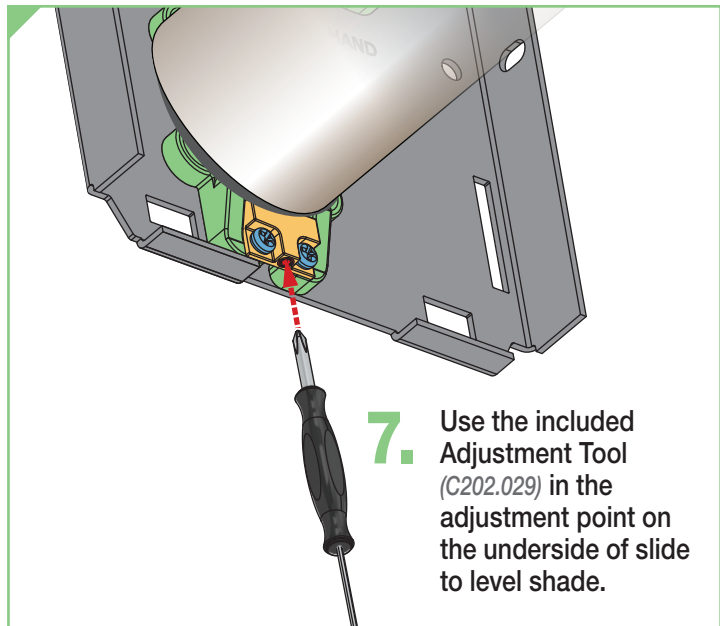
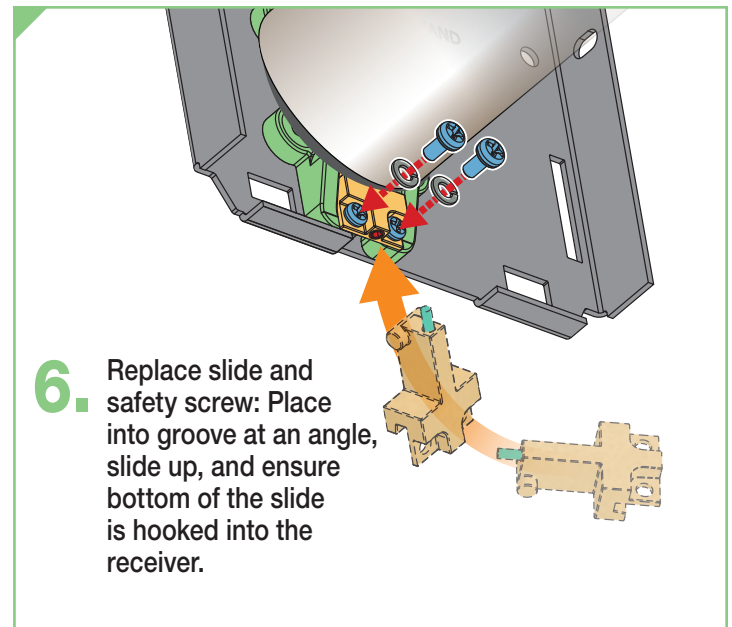
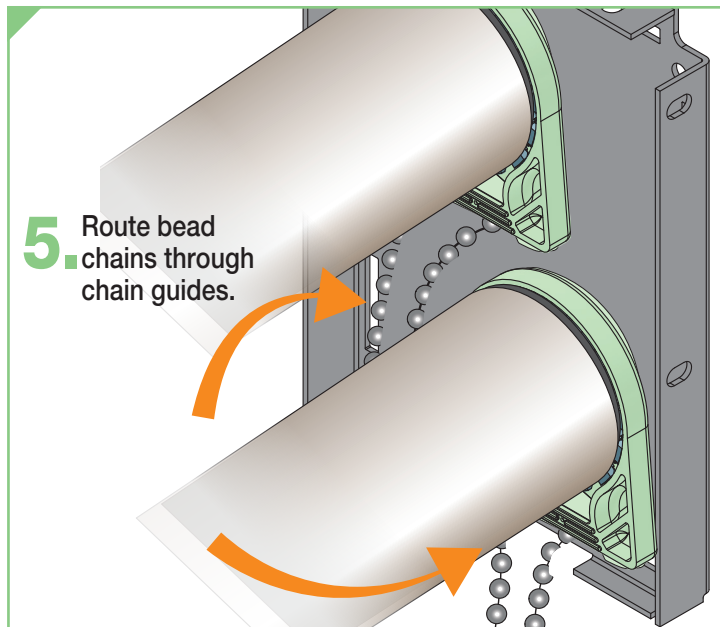
⚠ Caution: The retaining clip must be installed around the idler-end shaft as shown to prevent the roller assembly from moving left or right during operation, and to ensure that the spring-loaded shaft does not retract into the mechanism in case of a bearing failure.

3. Slip notches on operator end into the endcap, then press down to lock in place.



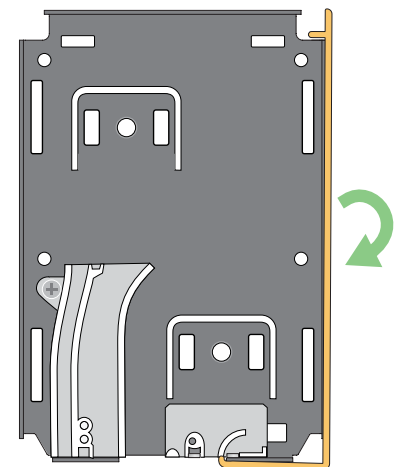
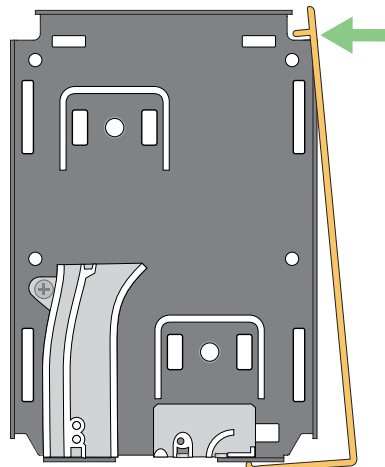
4. Use 1/8" (3mm) bit to drill pilot hole through one of the two (2) indents near bottom of Clutch, and secure with provided screw. Repeat for front shade.





Section 5 - Attaching Fascia

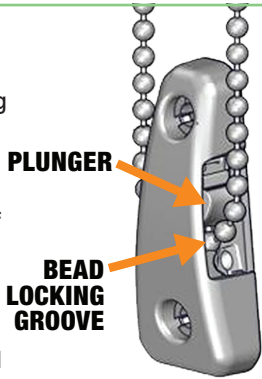
1. Place groove along top of fascia over endcaps, and snap into place. Fascia is not fully seated until it clicks into place on both ends.
2. Once in place, check for secure fit. If necessary, secure with appropriate fasteners (not included).



Section 6 - Tensioned Hold Down (Must be installed to make shade fully operable.)

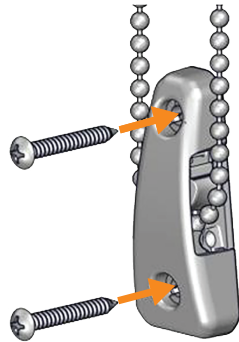
Please Note: Screws provided are not suitable for all mounting surfaces. The installer is responsible for secure mounting using appropriate hardware for the site conditions. Consult with contractors and builders as needed.

1. Lift bead chain out of bead locking groove and slide tensioned hold down to bottom of chain loop.
2. Hold tensioned hold down in one hand while pulling plunger away from bead chain with other hand.
3. Pull tensioned hold down until bead chain is fully tensioned and move tension device up approx. $\frac{1}{8}$ " (3mm)
4. Mark screw hole locations with a pencil.



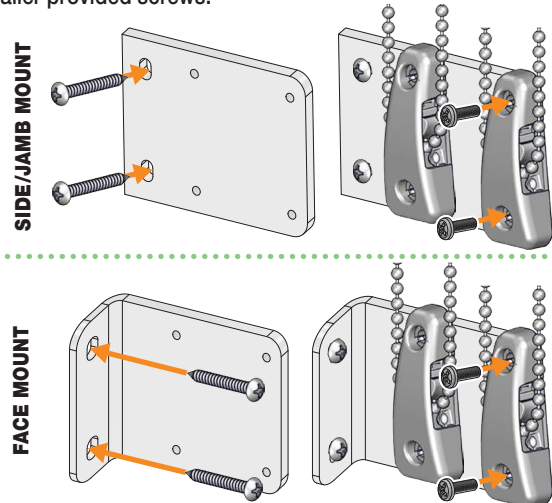
INSIDE MOUNT

If mounting directly onto the surface, pre-drill screw holes and then install the tensioned hold down using the 2 large screws provided.



SIDE/JAMB OR FACE MOUNT

Align mounting bracket holes with pencil marks and attach bracket to mounting surface. Install tensioned hold down using the two smaller provided screws.



Section 7 - Dimensions

